



MS-Terminator H770YTX D5 WIFI

Manual

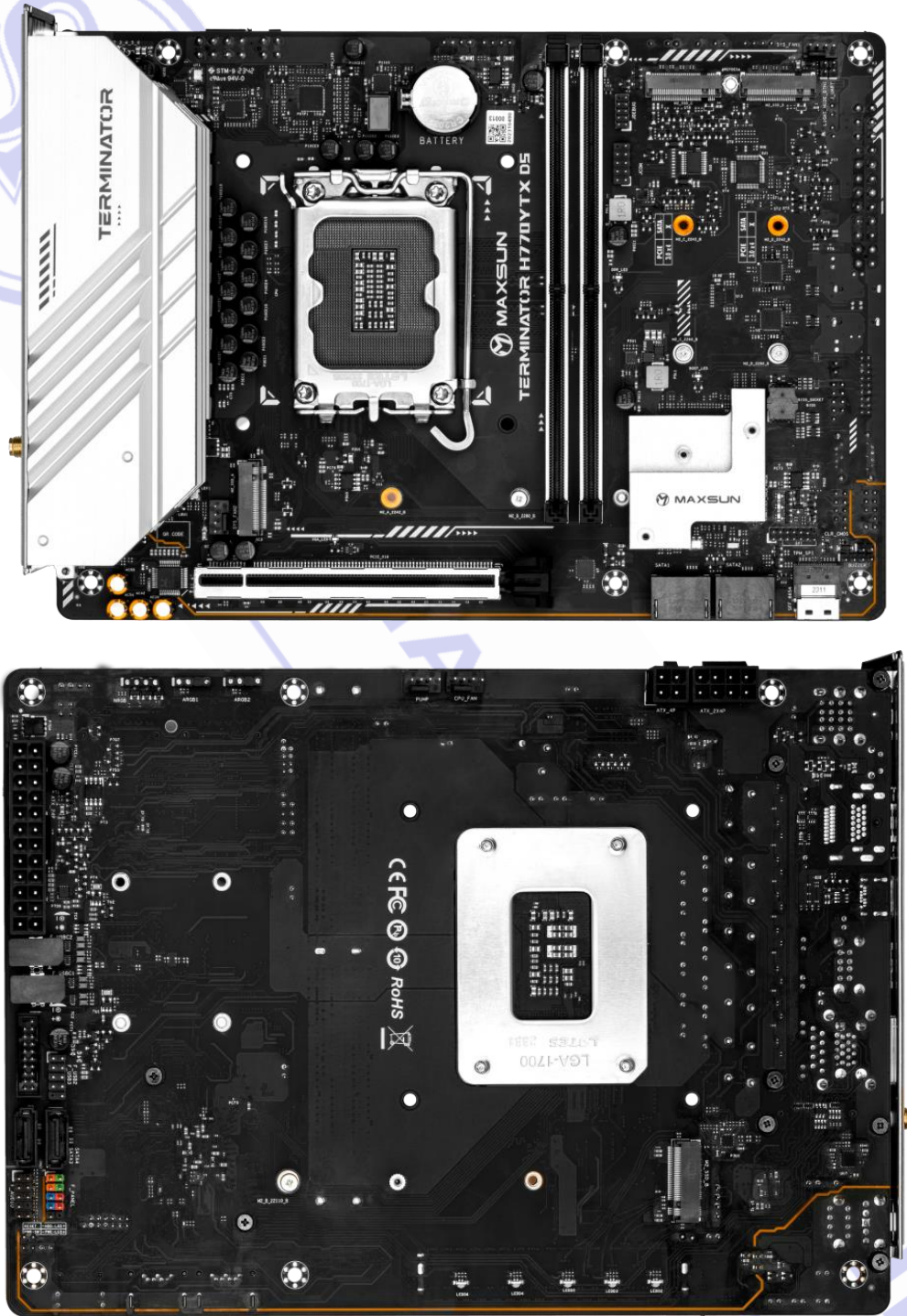
VER:A0

SHANGKE GROUP

Edited on January 31, 2024

Editorial Department: Technology Department

Chapter I Motherboard Configuration Chart



(This picture is for reference only, some details will be designed and adjusted according to the actual situation, please prevail in kind, our company reserves the right of interpretation)

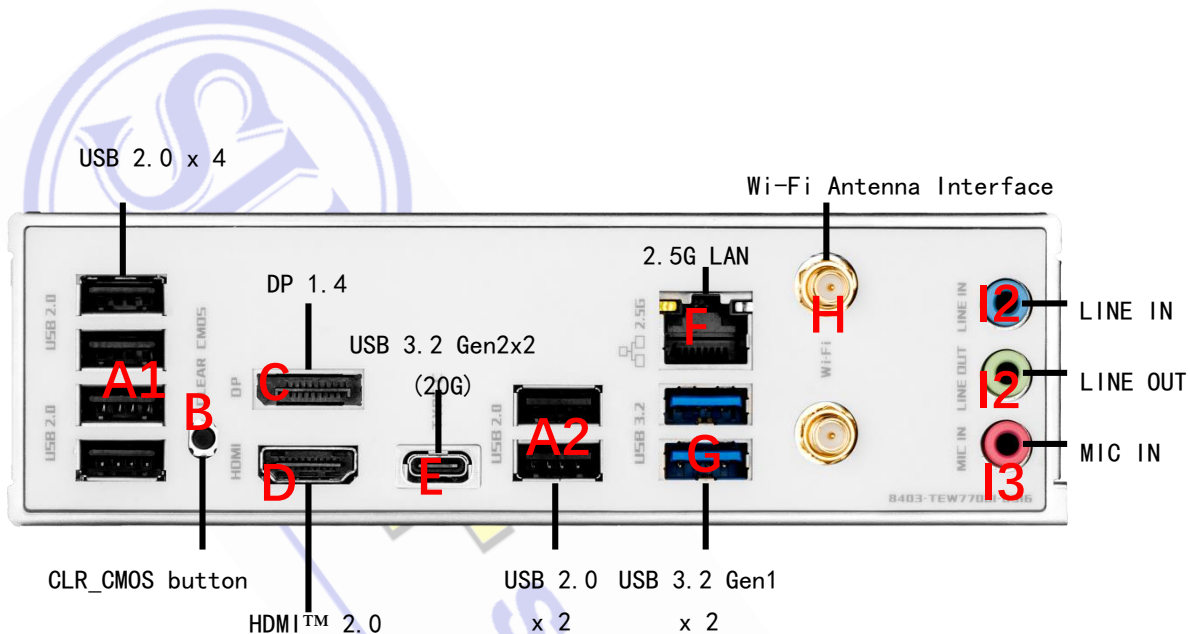
Chapter II. Specifications

2.1. Motherboard hardware specifications

Motherboard Size	Micro YTX (175mm x 245 mm)
CPU	Supports LGA1700 slot Intel® 14th, 13th, 12th Processors TDP: 200W (8+1+1)
Chipset	Intel® H770 High Speed Chipset
RAM	2* DIMM DDR5 memory slots, support up to 96GB Supports dual-channel memory technology Supports Intel Extreme Memory Profile(XMP) Support 4800MHz/5600MHz/OC Memory frequency
Display	1* DP 1.4 display connector, supports specified video output up to 4K@60Hz 1* HDMI 2.0 display connector, supports specified video output up to 4K@60Hz 2* front USB Type-C ports with DP 1.4 up to 4K@ 60Hz
Extended Interface	1* PCIe X16 slot (support PCIe5.0 X16, support X16 channel split, can be split into X8 +X8)
Audio	Realtek ALC897 High Definition Audio
Network	1* Realtek RTL8125BG 2.5Gb LAN 1* Intel AX101 Wi-Fi : Supports Wi-Fi 6 and Bluetooth V5.2
SSD	M.2_A slot: support PCIe4.0 X4/2 mode, support 2242 /2280 length. M.2_B slot: supports PCIe4.0 X4/2 mode, supports 2242 /2280/22110 length (located on the back of the motherboard). M.2_C slot: support PCIe4.0X4/2 mode, support 2242 /2280/22110 length. M.2_D slot: support PCIe4.0X4/2 mode, support 2242 /2280 length; SFF8654 4i interface: support PCIe4.0 X4/X2 SATA (4* SATA 6Gb/s) mode ;) 4* SATA 6Gb/s interfaces.
USB	Onboard USB (6 ports total). 2* USB3.2 Gen2 Type-C (10G) front ports, support DP1.4 up to 4K@60Hz video output; support up to 15W power output. 1* USB3.2 Gen1 (5G) connector pin, supports 2 additional USB3.2 Gen1 ports 1* USB2.0 connector pin to support 2 additional USB2.0 ports Rear USB (9 ports total). 1* USB3.2 Gen 2x2 Type-C (20G) Interface 2* USB3.2 Gen1 Type-A (5G) ports 6* USB2.0 Type-A ports
	Power supply related interfaces. 1* 24-Pin ATX Power Connector 1* 8-Pin +12V Power Connector 1* 4-Pin +12V Power Connector Wind-related interfaces.

<p>In-board sockets</p>	<p>1* 4-Pin CPU Fan Connector 1* 4-Pin PUMP Pump Connector Pin 2* 4-Pin Chassis Fan Connectors Storage Related Interfaces. 4* M.2 slots (Key_M) 4* SATA6Gb/s interfaces 1* SFF86544i Interface On-board USB ports. 2* USB3.2 Gen2 Type-C (10G) front ports, supports DP 1.4 up to 4K@60Hz video output; supports up to 15WPD/QC20 power output. 1x USB3.2 Gen1(5G) connector pin, supports 2 additional USB3.2 Gen1 ports 1x USB2.0 connector pin, supports 2 additional USB2.0 ports ;) Other interfaces. 2* 3-Pin ARGB Connector 1* 4-Pin NRGB Connector 1* COM port front connector pin 1* front panel audio connector 1* 9-Pin System Panel Connector 1* CLR_CMOS Reset Pin 1* SPDIF pin 1* TPM_SPI Pin 1* BUZZER pin 1* Debug Pin</p>
<p>Hardware monitoring</p>	<p>Voltage monitoring Temperature monitoring Fan monitoring Intelligent fan speed control (supported by motherboard, intelligent fan speed control also requires fan support)</p>
<p>Operating system</p>	<p>Support Windows 10 64bit, Windows 11 64bit</p>
<p>ESD protection</p>	<p>Air discharge $\pm 8KV$ Class C $\pm 6KV$ Class B Contact discharge $\pm 6KV$ Class C $\pm 3KV$ Class B *Tested with the whole machine well grounded</p>
<p>Package Size and Weight</p>	<p>Color box size: 285*210*78mm Veneer weight: 701g Single piece of color package weight: 1116.4g Outer box size: 435*306*422mm Weight of the whole box: 12.4kg</p>
<p>Specific function</p>	<p>Distributed Debug Lights Maxsun Sync Light Control CLR_CMOS Shortcut Button YTX Back Plug Structure</p>

Rear IO interface function



A1&A2: Dual-layer USB2.0 GEN1 TYPE A connector

Supports up to USB2.0 standard and is backward compatible with USB1.1 standard. For connecting USB TYPE A devices.

B: Clear_Cmos button

It is used to restore the initial default state of Bios, lightly press 1-3S after power off.

C: DP Port

Supports DisplayPort 1.4 for up to 4K@60Hz video output.

D: HDMI Port

HDMI2.0 display interface, supporting the specified maximum 4K@60Hz video output.

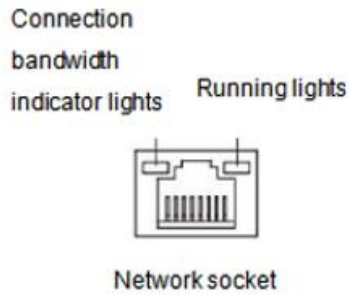
E:Type-C (20G) Port

Supports up to USB3.2 Gen 2x2 interface, supports theoretical 20Gb speed transfer.

F:RJ45 Port

Network cable interface for accessing a network cable to link the host system to the network with a maximum bandwidth of 2.5Gbps.

Operation Indicator Light	
No data transmission	go out (of a fire etc)
during data transmission	vague (of speech)



Connection bandwidth indicator	
bandwidths	lamp state
connectionless	go out (of a fire etc)
10Mbps	Green Always On
100Mbps	Green Always On
1000Mbps	Orange color is always on

G: Dual-layer USB3.2 GEN1 TYPE A connector

Supports up to 5Gb theoretical transfer speed and is backward compatible with USB1.1 standard for connecting USB TYPE A devices.

H: WI-FI antenna interface (external screw and internal pin) & Bluetooth v5.2

WI-FI wireless card antenna male connector, onboard AX101 WI-FI6 wireless, you can install the included WIFI antenna here.

I1: LINE IN connector (blue)

Used to receive audio input devices, such as cell phone audio input.

I2: Audio-out connector (light green)

Used to access audio output devices, such as headphones, speakers and other external amplification devices.

I3: Audio-Microphone connector (pink)

Used to access audio input devices, such as microphones and other radio devices.



MS-Terminator H770YTX D5 WIFI

使用手册

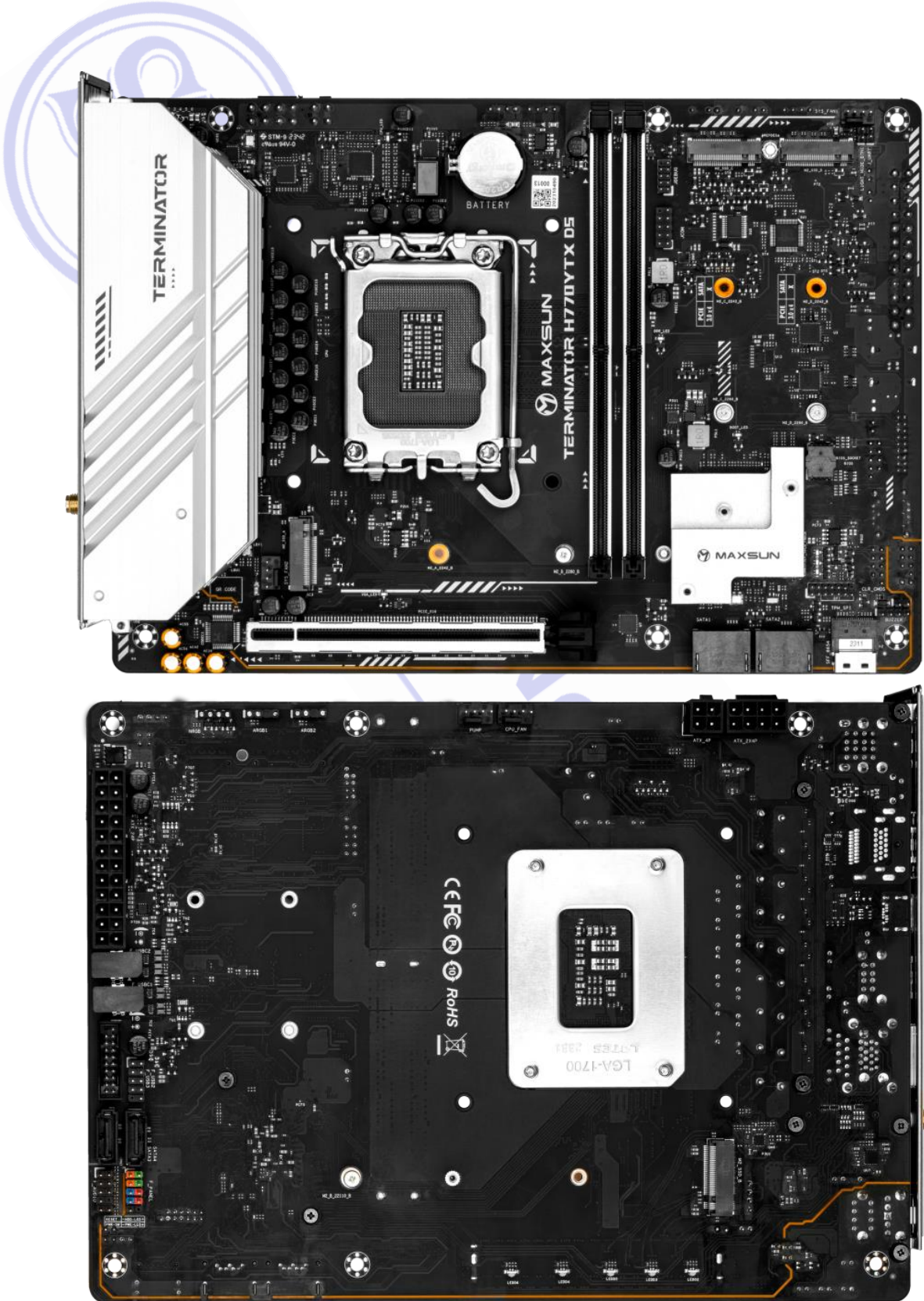
VER:A0

SHANGKE GROUP

编辑时间：2024 年 1 月 31 日

编辑部门：商科集团技术部

第一章 主板配置图



(此图仅供参考，部分细节会根据实际情况设计调整，请以实物为准，我司保留解释权)

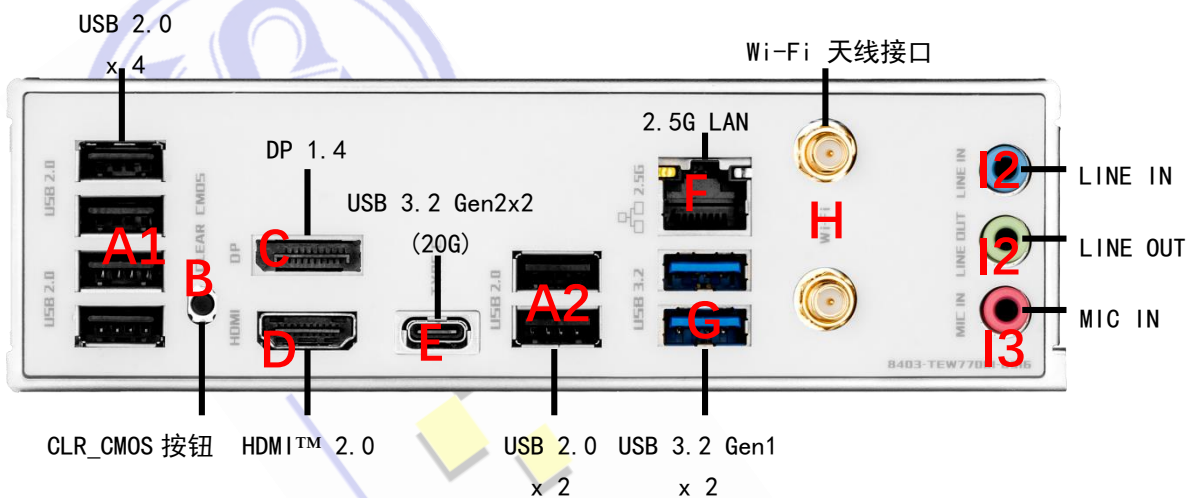
第二章 规格

2.1、主板硬件规格

主板尺寸	MicroYTX(175mm x245 mm)
CPU	英特尔®LGA1700 插槽, 适用于第 14 代英特尔®酷睿™、第 13 代英特尔®酷睿™第 12 代英特尔®酷睿™、奔腾 Gold 和赛扬处理器 TDP: 200W (8+1+1 项)
芯片组	Intel®H770 高速芯片组
内存	2 个 DIMM DDR5 内存槽 最高支持共 96GB 支持双通道内存技术 支持英特尔 Extreme Memory Profile(XMP) 支持 4800MHz/5600MHz/OC Memory 内存频率
显示	1x DisplayPort1.4 显示接口, 支持规定最高 4K@ 60Hz 视频输出 1x HDMI2.0 显示接口, 支持规定最高 4K@ 60Hz 视频输出 2x 前置 USBType-C 接口, 支持 DisplayPort1.4 规定最高 4K@ 60Hz 视频输出
扩展接口	1xPCIeX16 插槽(支持 PCIe5.0X16 模式, 支持 X16 通道拆分, 可拆分为 X8 +x8)
音频	Realtek ALC897 高清音频编解码器
网络	1 x Realtek RTL8125BG 2.5Gb Ethernet 接口 1x 英特尔 AX101 无线网卡:支持 Wi-Fi 6 与 Bluetooth v5.2
存储	M.2_A 插槽:支持 PCIe4.0X4/2 模式, 支持 2242 /2280 长度; M.2_B 插槽:支持 PCIe4.0X4/2 模式, 支持 2242 /2280/22110 长度(位于主板背面); M.2_C 插槽:支持 PCIe4.0X4/2 模式, 支持 2242 /2280/22110 长度; M.2_D 插槽:支持 PCIe4.0X4/2 模式, 支持 2242 /2280 长度; SFF8654 4i 接口:支持 PCIe4.0 X4/X2 SATA(4XSATA 6Gb/s)模式 ; 4xSATA 6Gb/s 接口;
USB	板载 USB(共 6 个接口): 2x USB3.2 Gen2Type-C(10G)前置接口, 支持 DisplayPort1.4 规定最高 4K@60Hz 视频输出; 支持最高至 15W 供电输出; 1x USB3.2 Gen1(5G)插针, 支持 2 个额外的 USB3.2 Gen1 接口 1x USB2.0 接针, 支持 2 个额外的 USB2.0 接口 后置 USB(共 9 个接口): 1x USB3.2 Gen 2x2 Type-C (20G)接口 2x USB3.2 Gen1 Type-A(5G)接口 6x USB2.0Type-A 接口
板内插座	电源相关接口: x24 Pin ATX 电源连接器 1x8 Pin +12V 电源连接器 1x4 Pin +12V 电源连接器 风相关接口: 1x4 Pin CPU 风扇接针 1x4 Pin PUMP 水泵接针 2x4 Pin 机箱风扇接针 存储相关接口:

	<p>4x M.2 插槽(Key_M)</p> <p>4x SATA6Gb/s 接口</p> <p>1x SFF8654i 接口</p> <p>板载 USB 接口:</p> <p>2x USB3.2 Gen2Type-C(10G)前置接口, 支持 DisplayPort1.4 规定最高 4K@60Hz 视频输出; 支持最高至 15WPD/QC20 供电输出;</p> <p>1x USB3.2Gen1(5G)接针, 支持 2 个额外的 USB3.2 Gen1 接口 1xUSB2.0 接针, 支持 2 个额外的 USB2.0 接口;</p> <p>其他接口:</p> <p>2x3 Pin ARGB 接</p> <p>1x4 Pin NRGB 接针</p> <p>1x COM 端口前置接针</p> <p>1x F_AUDIO 前面板音频接针</p> <p>1x F_PANEL 系统面板接针</p> <p>1x CLR_CMOS 重置接针</p> <p>1x SPDIF 插针</p> <p>1x TPM_SPI 插针</p> <p>1x BUZZER 插针</p> <p>1x Debug 插针</p>
硬件监控	<p>电压监测</p> <p>温度监测</p> <p>风扇监测</p> <p>智能风扇控速 (主板已作支持, 智能风扇控速也需风扇支持)</p>
操作系统	支持 Windows10 64bit, Windows11 64bit
ESD 防护	<p>空气放电 ±8KV C 级</p> <p>±6KV B 级</p> <p>接触放电 ±6KV C 级</p> <p>±3KV B 级</p> <p>*整机接地良好的情况下测试</p>
包装尺寸及重量	<p>彩盒尺寸: 285*210*78mm</p> <p>单板重量: 701g</p> <p>单片彩包重量: 1116.4g</p> <p>外箱尺寸: 435*306*422mm</p> <p>整箱重量: 12.4kg</p>
特有功能	<p>分布式 Debug 灯</p> <p>Maxsun Sync 光控制</p> <p>CLR_CMOS 快捷按钮</p> <p>YTX 背插结构</p>

后置 IO 接口功能



A1&A2: 双层 USB2.0 GEN1 TYPE A 接口

最高支持 USB2.0 标准，可向下兼容 USB1.1 标准。用于连接 USB TYPE A 设备。

B: Clear_Cmos 按钮

用于还原 Bios 初始默认状态，断电后轻按 1-3S 即可。

C: DP 接口

支持 DisplayPort1.4 规定最高 4K@60Hz 视频输出。

D: HDMI 接口

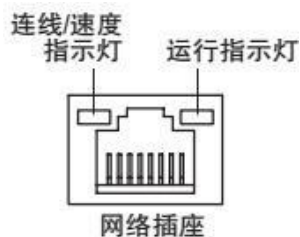
HDMI2.0 显示接口，支持规定最高 4K@60Hz 视频输出。

E: Type-C (20G)接口

最高支持 USB3.2 Gen 2x2 接口，支持理论 20Gb 速度传输。

F: RJ45 接口

网线接口，用于接入网线将主机系统链接到网络，最高带宽 2.5Gbps。



连接带宽指示灯	
带宽	灯状态
无连接	灭
10Mbps	灭
100Mbps	绿色常亮
1000Mbps	橙色常亮
2500Mbps	橙色常亮

运行指示灯	
无数据传输	灭
数据传输中	闪烁

G: 双层 USB3.2 GEN1 TYPE A 接口

最高支持理论 5Gb 速度传输, 可向下兼容 USB1.1 标准, 用于连接 USB TYPE A 设备。

H: WI-FI 天线接口 (外螺内针)& Bluetooth v5.2

WI-FI 无线网卡天线公头接口, 板载 AX101 WI-FI6 无线网卡, 可将随赠 WIFI 天线安装至此处。

I1: LINE IN 接口(蓝色)

用于接收音频输入设备, 如手机音频输入。

I2: Audio-out 接口 (浅绿色)

用于接入音频输出设备, 如耳机、音箱等外放设备。

I3: Audio-麦克风接口 (粉红色)

用于接入音频输入设备, 如麦克风等收音设备。